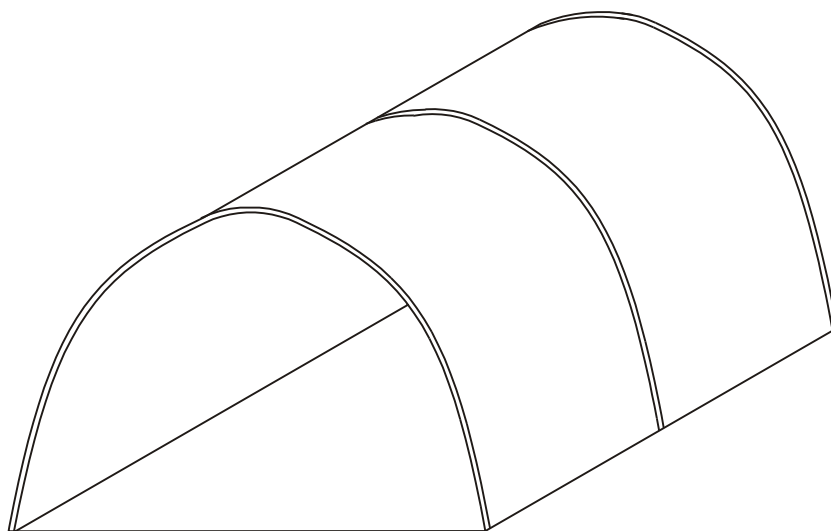


FLEXA®

738024/738026

85 x 105 x 100 cm



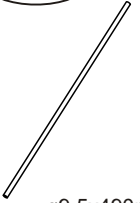
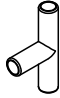
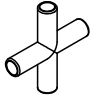
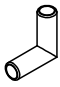
For indoor
domestic use

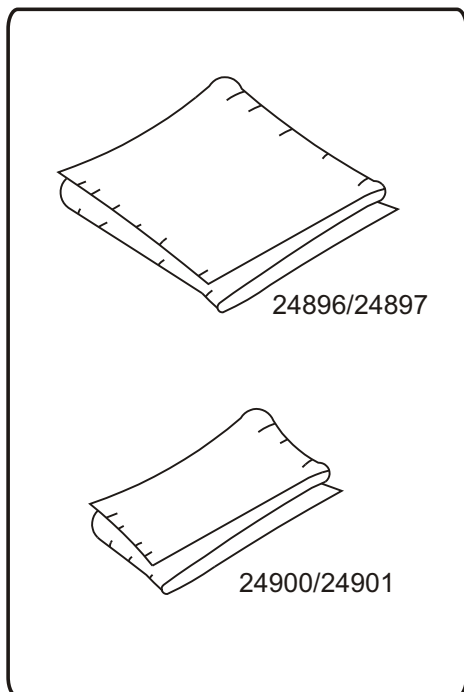
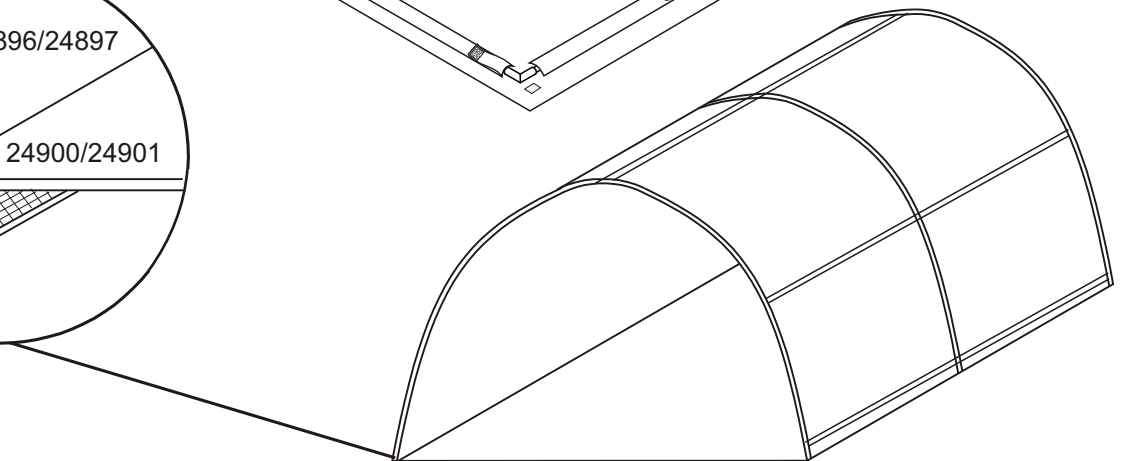
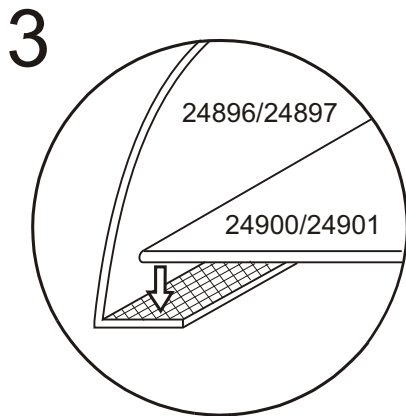
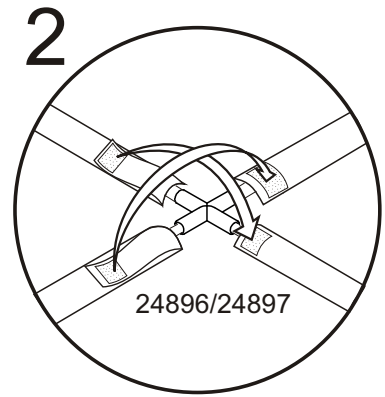
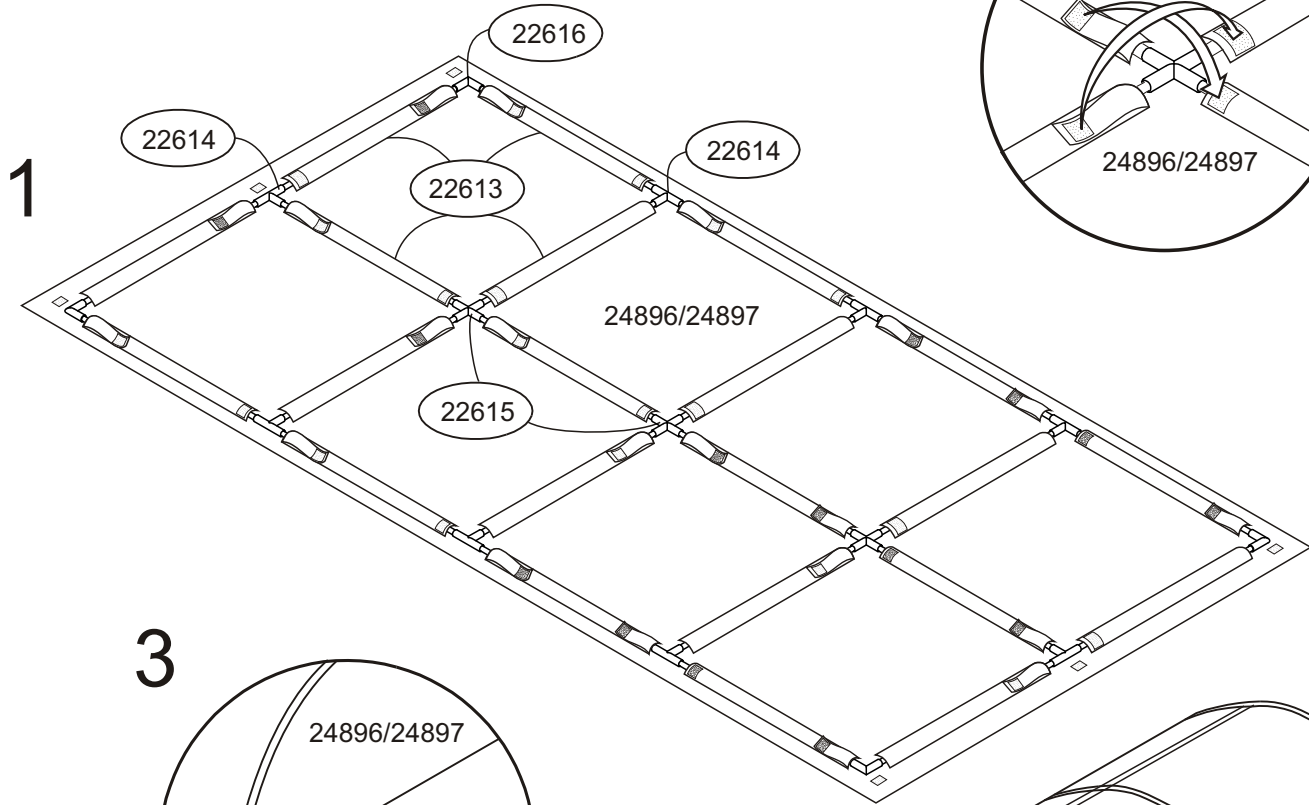


Danish Design made in Denmark

Assembling instructions Instructions d'assemblage

1/January 2006

 <p>22613 x 22</p> <p>ø9,5x490mm</p>	 <p>22614 x 8</p>	 <p>22615 x 3</p>	 <p>22616 x 4</p>
---	--	--	--



GB:
 It's recommended that the cave is placed under the mattress so it doesn't tip over.
 Wash/clean separately. Shrinkage 5-10%. Stretch into shape when wet.
 F:
 Il est recommandé de placer la cabane sous le matelas afin de la stabiliser.
 Laver séparément/nettoyage à sec. Peut rétrécir de 5-10%. Étirer avant séchage.
 E:
 Se recomienda poner el dosel debajo del colchón para que no se mueva.
 Lavar/limpiar por separado. Encoge entre un 5% y un 10%. Estirar estando mojado.